



1.1 MW TURBO BLOWER:



SMALLER FOOTPRINT



VARIABLE SPEED



OIL-FREE ACTIVE MAGNETIC BEARING



HIGH EFFICIENCY SINGLE STAGE IMPELLER



HIGH TOTAL WIRE TO AIR EFFICIENCY



INTEGRATED CLOSED LOOP COOLING SYSTEM



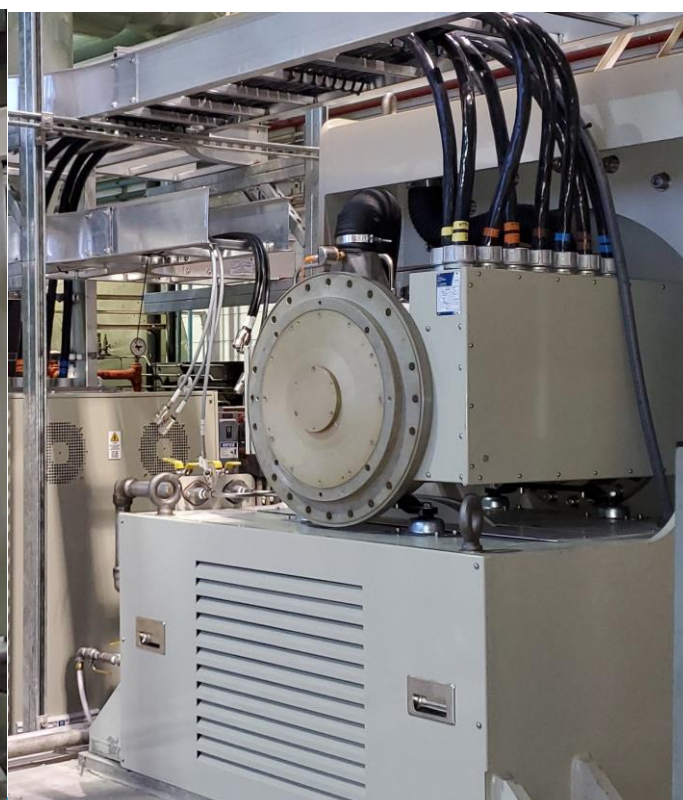
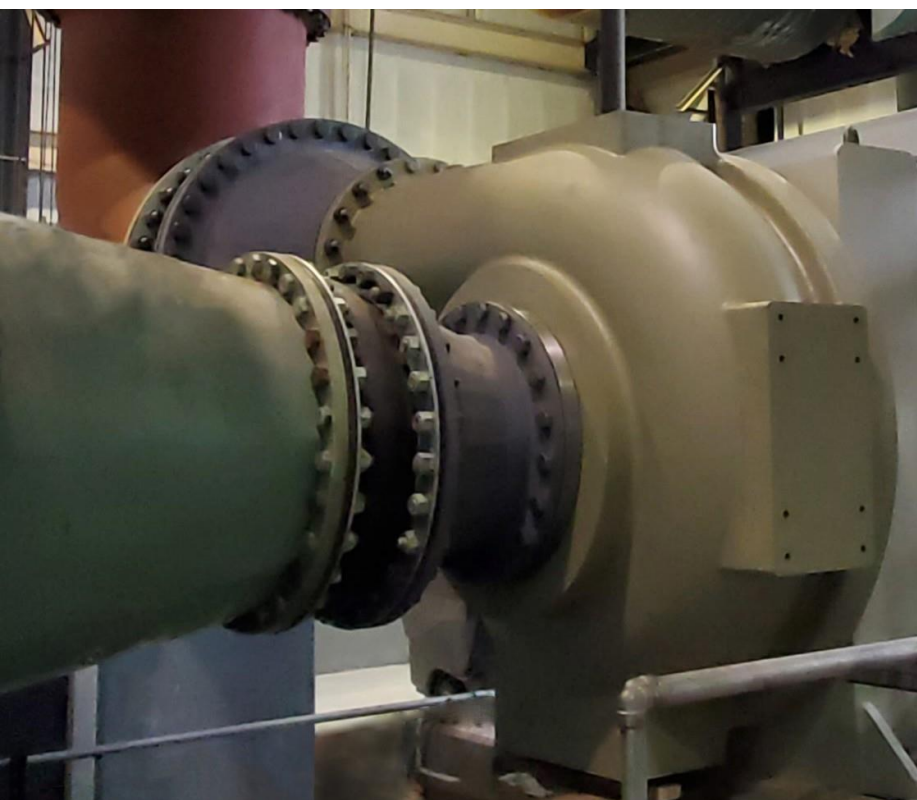
HIGH SPEED PERMANENT MAGNET SYNCHRONOUS MOTOR



BUILT-IN PROGRAMMABLE LOGIC CONTROLLER



ENGINEERED FOR A WIDE RANGE OF PROJECTS



1.1 MW TURBO BLOWER - Performance Data

Ambient Conditions

Application	Aeration
Blower installation location	Indoor
Working fluid	Air
Ambient pressure	10 - 14.7 PSIA

Design Conditions

Relative humidity	65%
Duty discharge pressure	6 - 16 PSIG
Flow	10,500 - 43,000 SCFM

Performance¹

APGN1.1MW

Motor Shaft Power	1,100 kW/1500 HP
Maximum air flow @ duty discharge pressure/blower	24,500 - 43,000 SCFM
Minimum air flow @ duty discharge pressure/blower	10,500 - 21,000 SCFM
Turndown from maximum flow to minimum flow	≥ 50%
Discharge temperature range	140 - 240 °F
Rise-to-surge	> 3 PSIG

¹ Estimated - PTC10

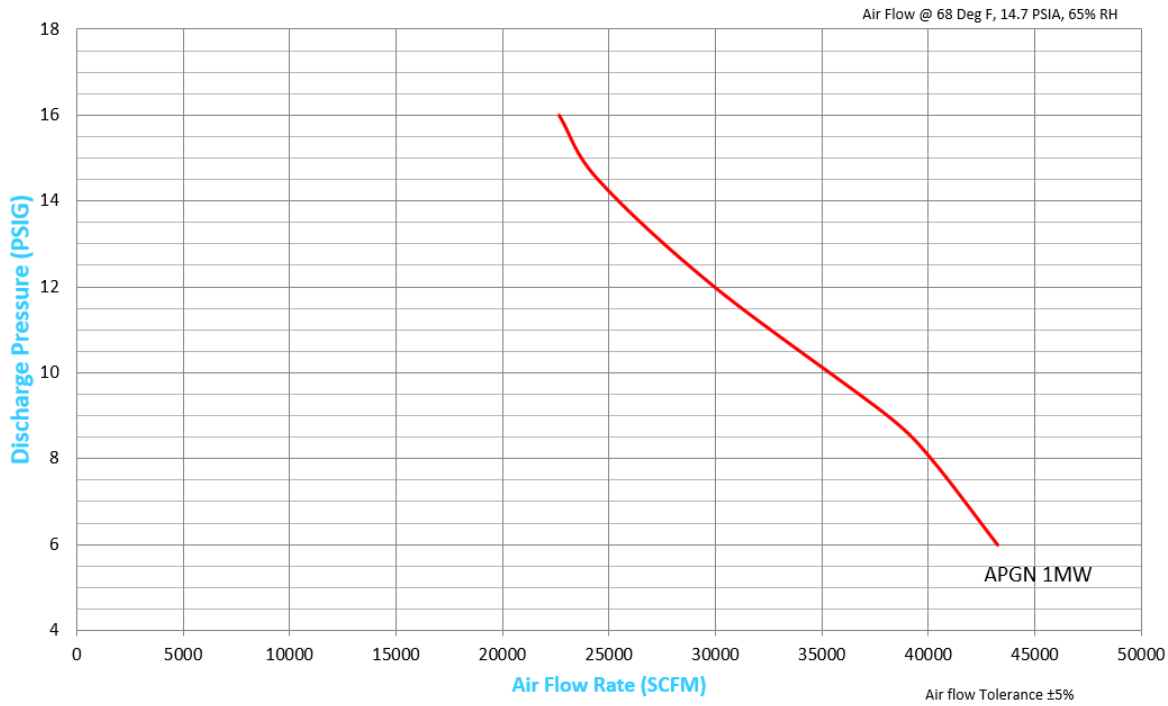
Note: approximate data - subject to change

Additional Information

Maximum noise level @ 5 feet	82 dBA
Dimensions per blower, L/W/H	77/68/80 In.
Weight per unit	18,000 lbs.
Heat rejection	66 kW
Input medium voltage/phase/frequency	4160/3/60 V/phase/Hz
Full Load Amperage (medium voltage)	1 x 174 AMPS
Input low voltage/phase/frequency	480/3/60 V/phase/Hz
Full Load Amperage (low voltage)	2 x 757 AMPS
Blower inlet type	Flanged
Inlet flange size (only if louvered inlet does not apply)	24 inches
Discharge flange size	24 inches

Note: approximate data - subject to change

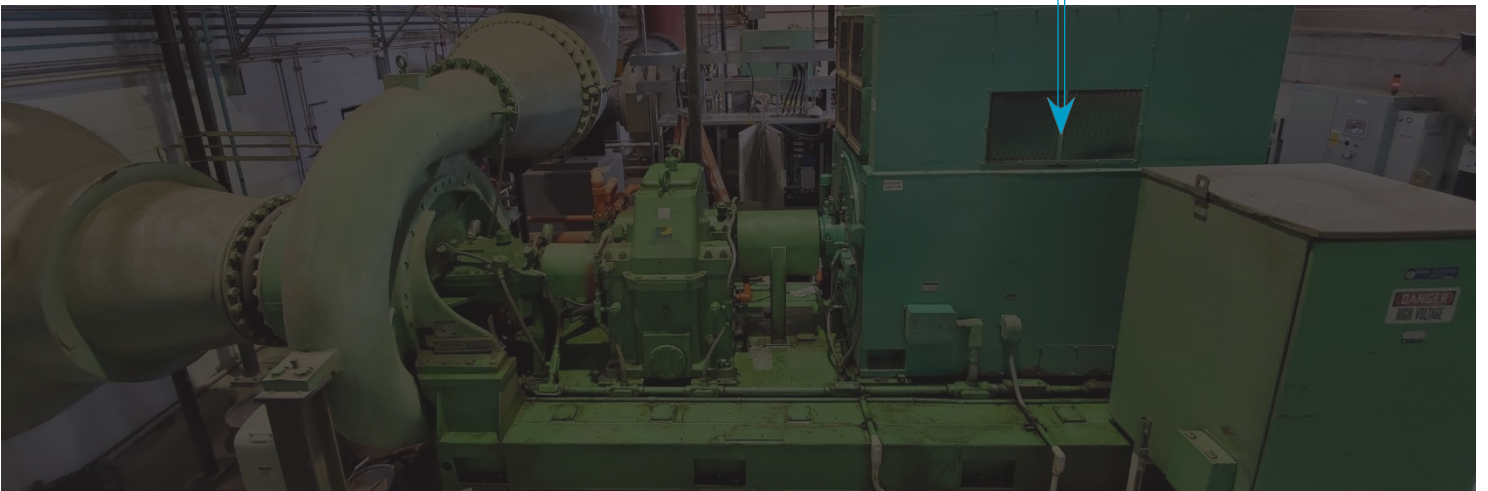
1.1 MW TURBO BLOWER - APGN 1.1MW



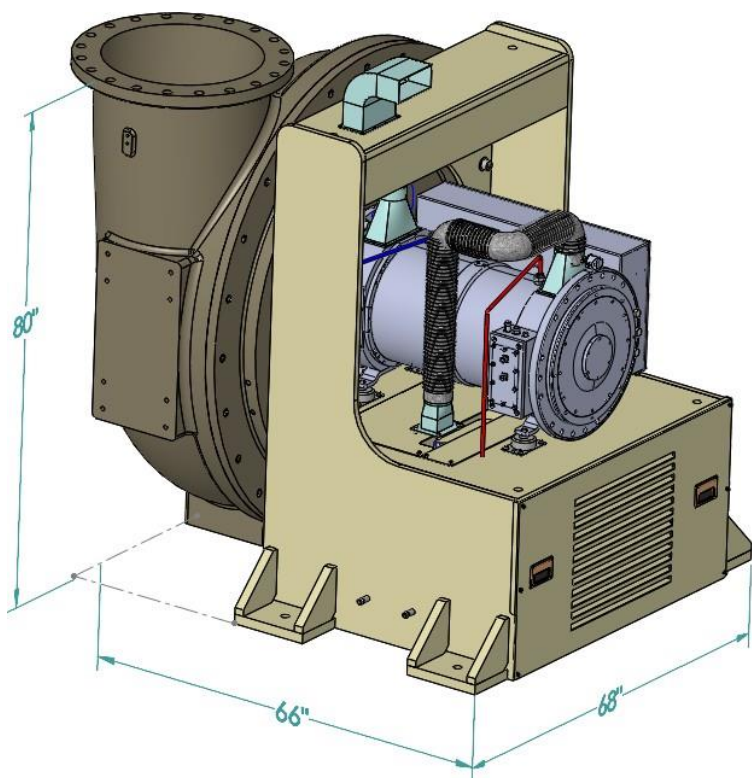
**PERFORMANCE
CURVE**
APGN 1.1MW



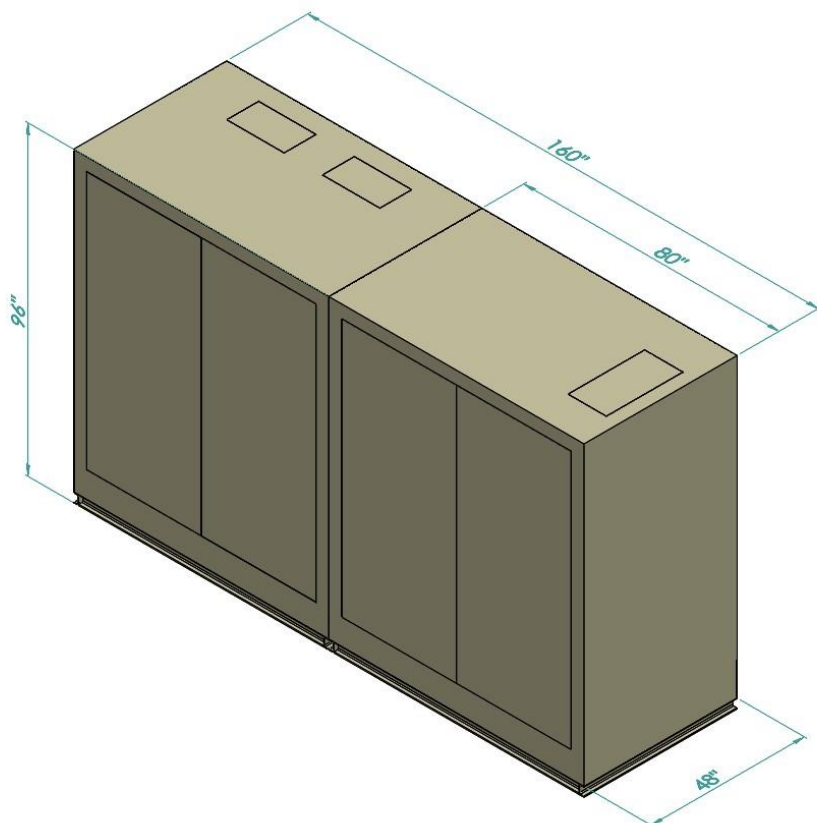
FOOTPRINT
APGN 1.1MW BLOWER
REPLACES
LARGE GEARED
SINGLE STAGE BLOWER



FOOTPRINT



1.1MW TURBO BLOWER
APGN 1.1MW



**MEDIUM VOLTAGE
POWER & VFD**
APGN 1.1MW

Contact us:
1-866-592-9482
sales@apg-neuros.com
www.apg-neuros.com

